

Rail & Splice for roof

These rails are designed for all kinds of roof type. It comes with high quality, high strength and low cost.

Features

1. Material: Aluminum 6005-T5
2. Flexibility and compatible
3. Universal

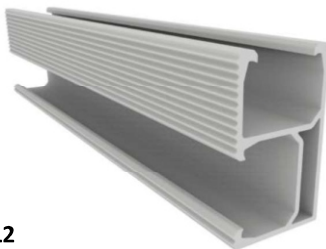
Roof Rail Series



MG-RR-CH



MG-RR-CL1



MG-RR-CL2

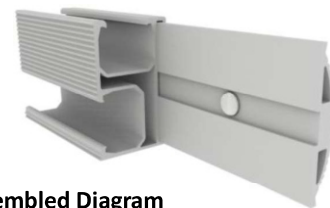


Assembled Diagram

Rail Connector Series



MG-RRC-CA-01



Assembled Diagram

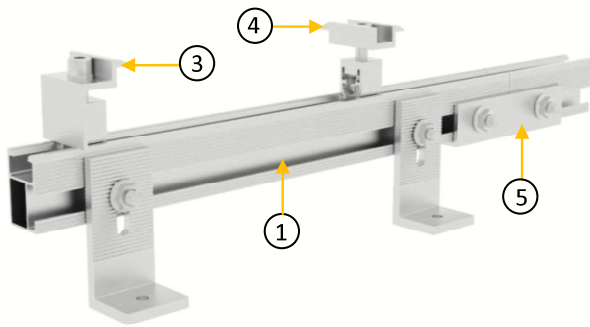


MG-RRC-CA-02

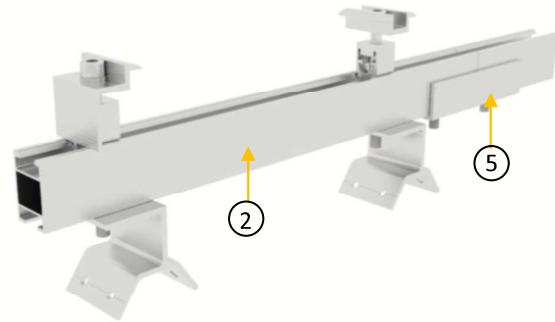


Assembled Diagram

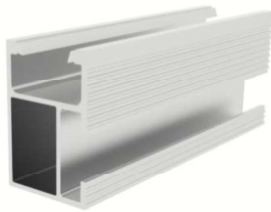
Clamps fixed on the side of the rail



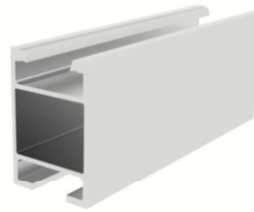
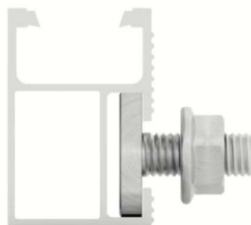
Clamps fixed on the bottom of the rail



Using T bolt to connect the rail with clamps, it is very easy to install and fix firmly.



① MG-RR-CL3



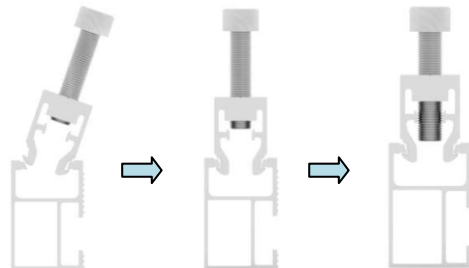
② MG-RR-CL4



③ MG-NEC-F



④ MG-NMC-F



⑤ MG-RRC-CA-03



Using Rail Connector Kit to joint Roof Rail 03#



Using Rail Connector Kit to joint roof Rail 04#

Mid Clamp & End Clamp

MG-MC-C Mid Clamp
30/32/35/40/45/50 mm



MG-EC-C End Clamp
30/32/35/40/45/50 mm



MG-AGM-MC Mid Clamp
25/30/35/40/45/46/50 mm



MG-AGM-EC End Clamp
25/30/35/40/45/46/50 mm



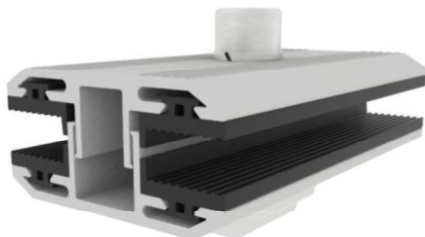
MG-AMC-C Adjustable Mid Clamp
35mm~55 mm



MG-AEC-B Adjustable End Clamp
35mm~55 mm



MG-TF-MC-L80 Thin Film Mid Clamp, 80 mm
MG-TF-MC-L120 Thin Film Mid Clamp, 120 mm



MG-TF-EC-L80 Thin Film End Clamp, 80 mm
MG-TF-EC-L120 Thin Film End Clamp, 120 mm

