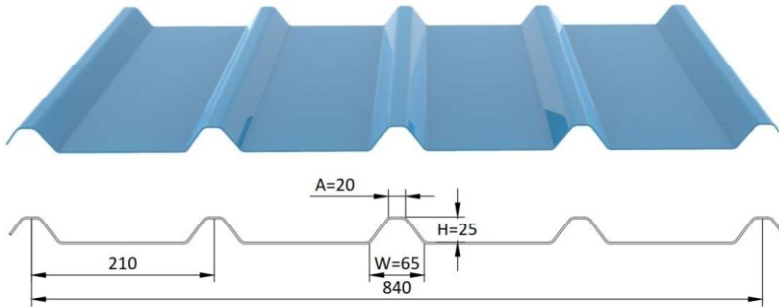
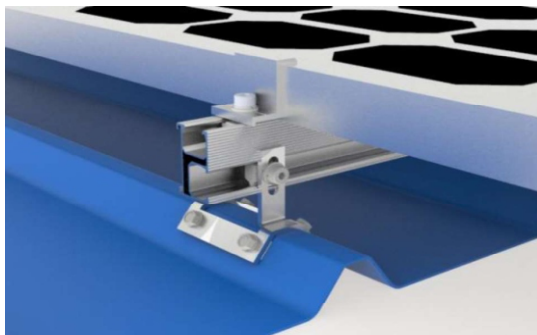


Trapezoidal Metal Roof Clamps



Technical Information

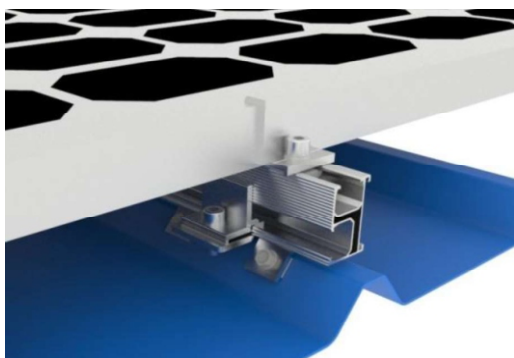
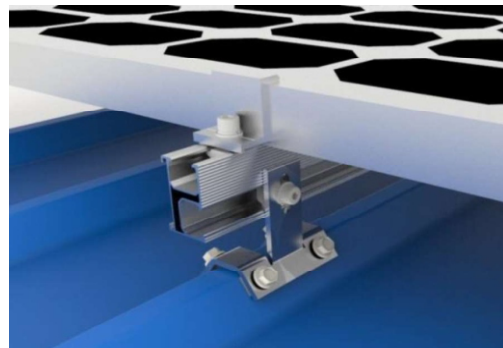
- Material: SUS304 & EPDM
- Application: Trapezoidal Metal Roof
- Fixed Way: Using self-tapping screw to fix the clamps on the roof



MG-SS-MRC-01

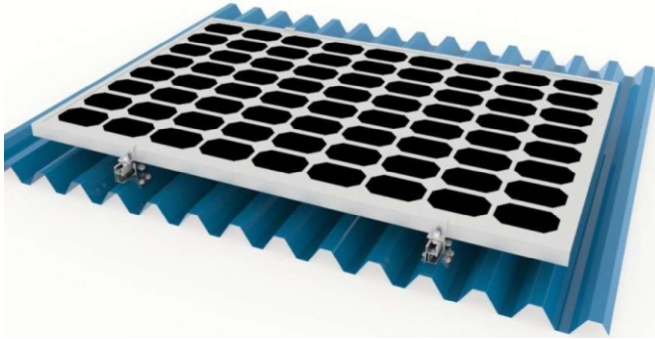


MG-SS-MRC-01-A



MG-SS-MRC-01-B

Trapezoidal Metal Roof Clamps



Technical Information

- Material: AL6005-T5 & EPDM
- Application: Trapezoidal Metal Roof
- Fixed Way: Using self-tapping screw to fix the clamps on the roof
- Custom made available for different metal roof

Horizontal Solution



MG-AL-MRC-01



Vertical Solution



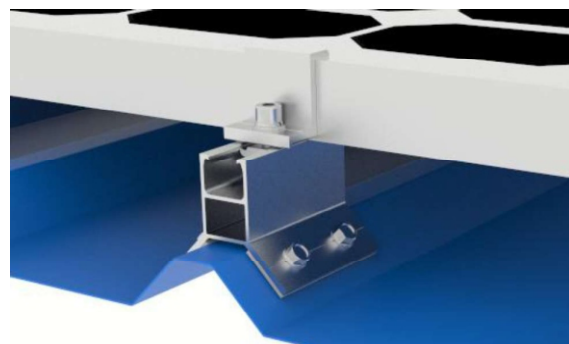
MG-AL-MRC-02



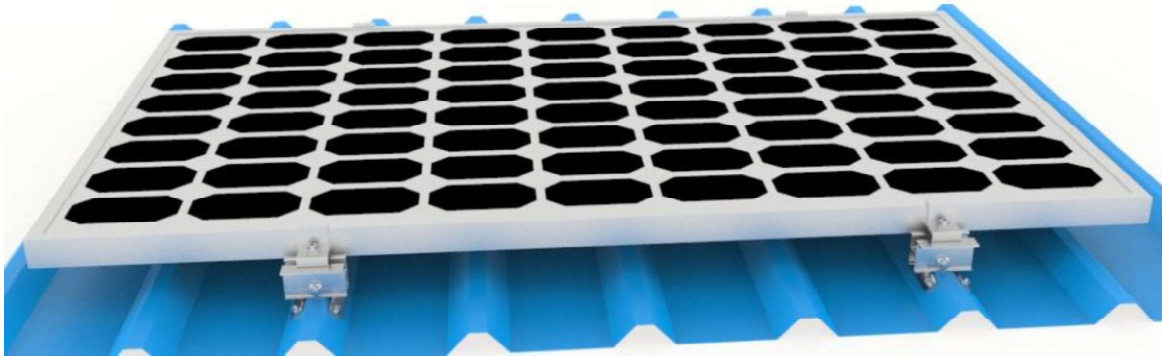
Horizontal & Rail-less Solution



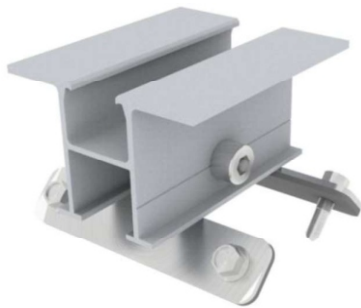
MG-AL-MRC-03



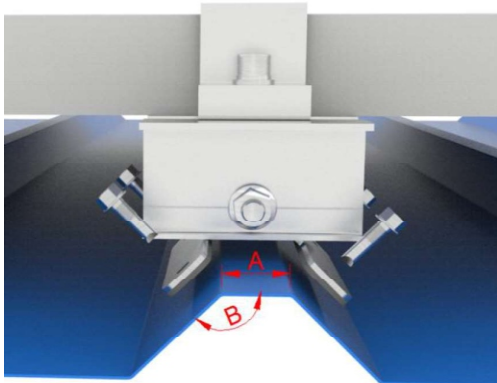
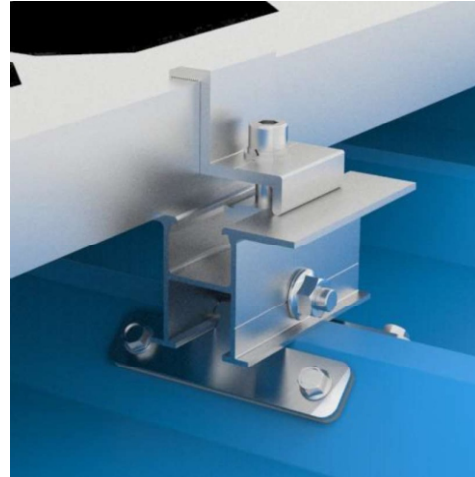
Universal Metal Roof Clamp



Universal Roof Clamp can work with all kinds of trapezoidal metal roof. It is a rail-less solution, it will help you save some cost and labor cost. Use anti-aging EPDM rubber to improve the waterproof performance. The material of this product is made by aluminum alloy (AL 6005-T5) and stainless steel 304 (SUS 304), which has strong corrosion resistance.



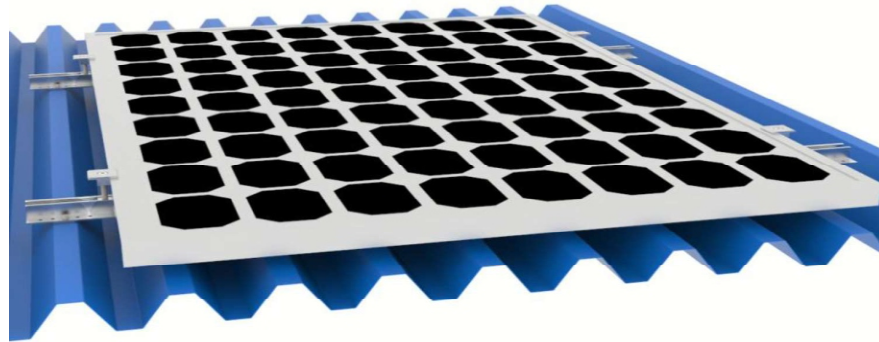
MG-UM-RC
Universal Roof Clamp



Metal Roof Sheet Specification

	Min.	Max.
A	20 mm	60 mm
B	90 degree	140 degree

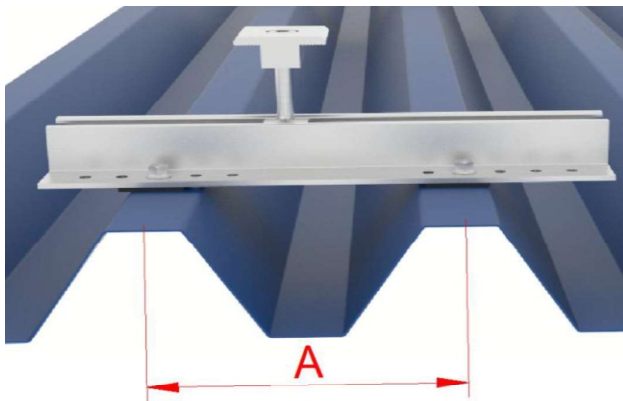
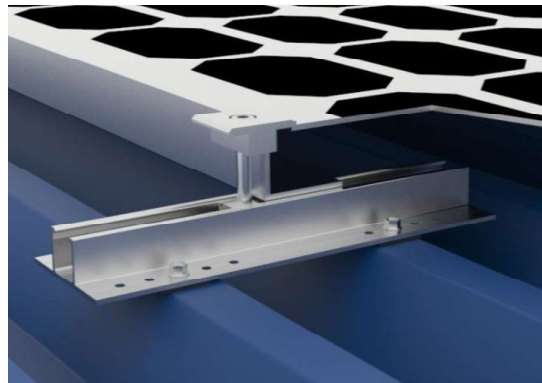
Universal Metal Roof Clamp



This type mini rail can work with all kinds of trapezoidal metal roof. It was made by aluminum alloy, which has strong corrosion. For this solution, it can save at least 80% cost and 50% installation time.



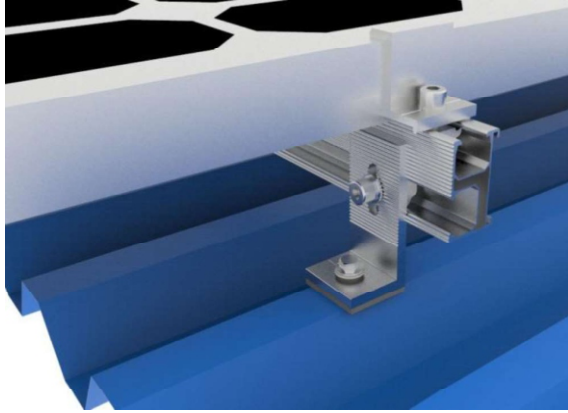
MG-AL-MRC-04
Vertical & Rail-less Solution



Metal Roof Sheet Specification

	Min.	Max.
A	80 mm	220 mm

L Foot Mount



L Foot mount have been widely used on universal corrugated metal sheet roof. It also can fix to the roof rafter directly.

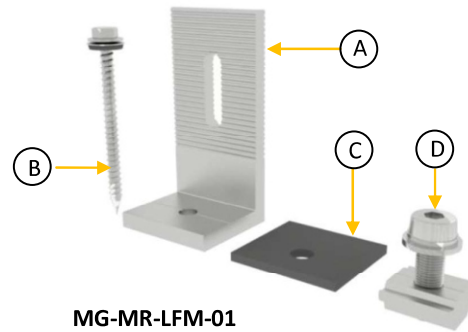
Plus, it can be applied with all kinds of hanger bolt and roof clamps.

Features

1. Simple and cost-effective installation
2. Material: Aluminum 6005-T5 & SUS 304
3. Waterproof rubber gasket integrated
4. Apply for many kinds of metal roof

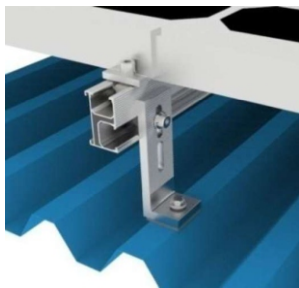
Components List

Components	Quantity
A. L Foot Mount	1
B. M6.3x80mm wood screw	1
C. Rubber Gasket	1
D. M8X25 SUS 304 bolt& rail nut & SUS washer	1



MG-MR-LFM-01

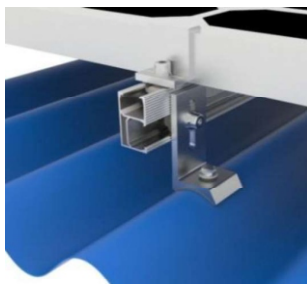
Specification



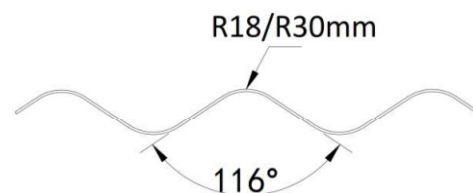
MG-MR-LFM-02



MG-MR-LFM-03



MG-MR-LFM-04



Hanger Bolt Mount



MG-MR-HB

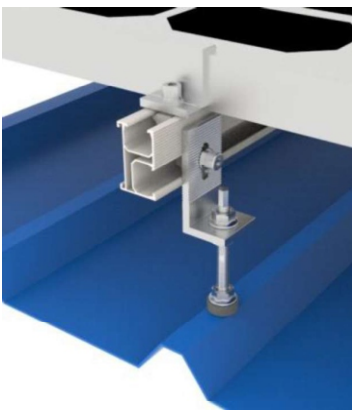
MG-MR-HB-S

Hanger Bolt apply to install on both wooden rafter and steel purlin. Both types can be applied with L Foot and plate. There are three sizes most common use, M10x200mm, M12x200mm and M12x300mm Hanger bolt.

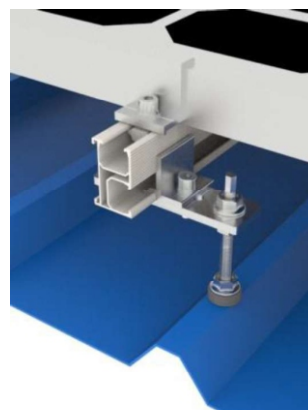
Features

1. Fast and simple installation
2. Made of SUS 304
3. Highly corrosion resistant surface treatment
4. Waterproof EPDM rubber integrated
5. Wooden rafter and steel purlin options

Hanger Bolt Mount Series

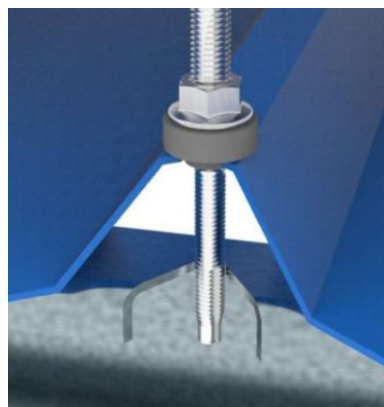


MG-MR-HB-01



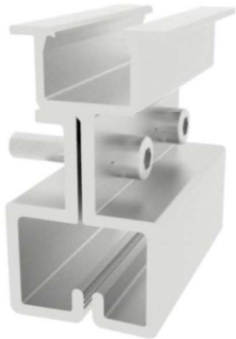
MG-MR-HB-02

Application

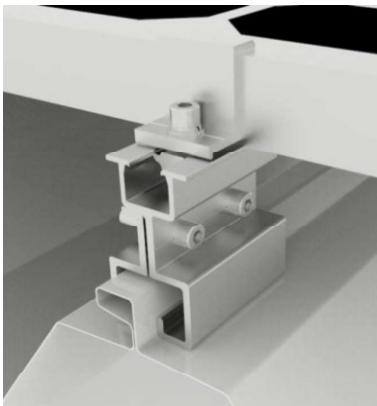
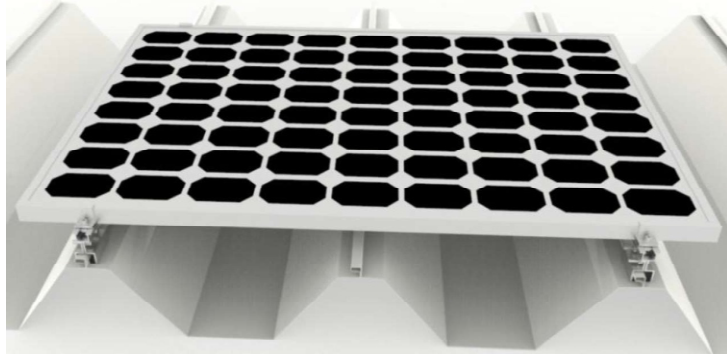


MG-MR-HB-S-01

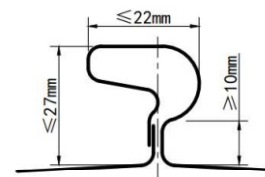
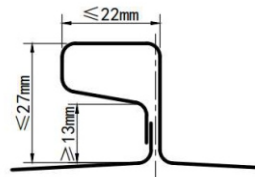
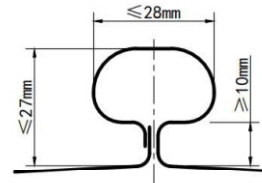
Standing Seam Roof Clamps



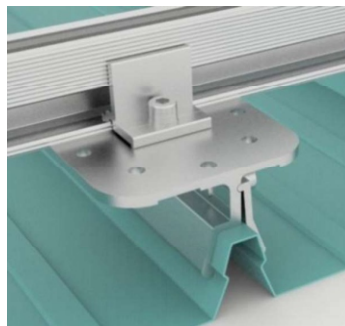
MG-SS-RC-01



Standing Seam Metal Roof
Sheet Specification



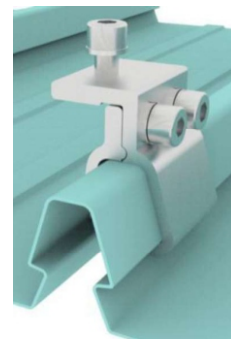
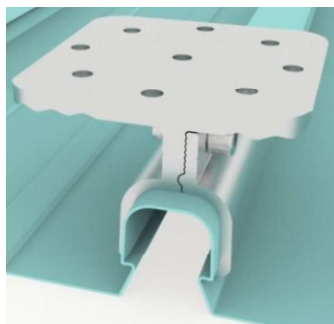
MG-SS-RC-02



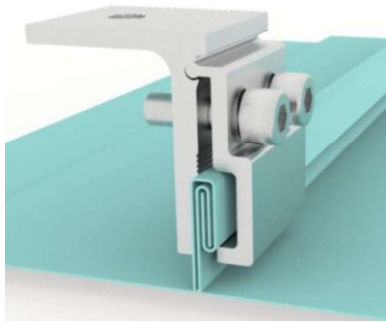
MG-SS-RC-04



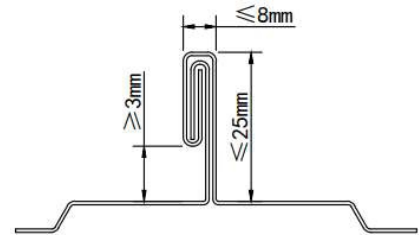
MG-SS-RC-03



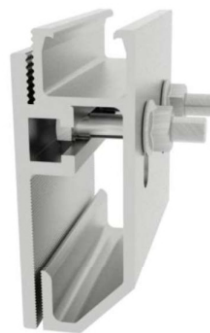
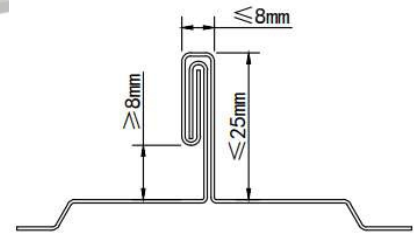
Standing Seam Roof Clamps



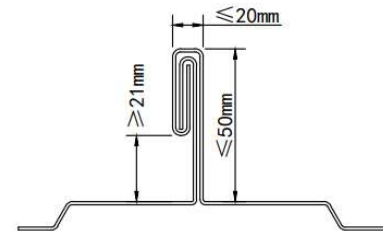
MG-SS-RC-05



MG-SS-RC-06



MG-SS-RC-07



MG-SS-RC-08

