



PRODUCT OVERVIEW

Portable household multifunctional AC charger supports up to 7.68kW charging with retractable charging cable. Selectable charging current enables users to reduce charging current during peak demand periods. Charging can be scheduled during off-peak demand periods to lower charging costs. Compatible with Level 1 and Level 2. Automatically adjusts charging current by identifying voltage.

FEATURES

- Suitable for household use
- Plug and charge. Control charging on APP
- Compatible with Level1 & Level 2
- Type1 J1772 charging port
- Up to 7.68kW charging output
- Charging cable can be retracted into charger body
- CCID20 ground fault protection
- Level 1 energy metering
- NEMA-3R shock resistance design
- Portable
- ETL & Energy Star certified

APPLICATIONS

- Home charging
- Travel
- Emergency charger



Product Description

PART#	DESCRIPTION	NOMINAL VOLTAGE	OUTPUT POWER	CHARGING INTERFACE	WEIGHT
EV-E16-32A-01	Portable Home EV Charger	208VAC/250VAC	1.92kW-7.68kW	Type 1 SAE J1772	≤7Kg

Specifications

MODEL#	EV- E16-32A-01
POWER SPECIFICATIONS	
Standby Power	<2W Standby
Output Power(kW)	1.92kW, 3.84kW, 5.76kW, 7.68kW
Output Amperage(A)	8A, 16A, 24A, 32A
Circuit Breaker Options(A)	10A, 18A, 27A, 35A
Input/Output Nominal Voltage	208VAC/250VAC
Input/Output Voltage Range	190VAC/265VAC
Input/Output Frequency	50/60Hz
Input Wiring Type	Hardwired
Input Wiring Scheme	L1, L2, ND
Power Measurement Accuracy	Embedded meter with a 1% accuracy at the nominal input
Surge Protection	Up to 6kV at 3000A
FUNCTIONAL SPECIFICATIONS	
Charge Connector Type	Type 1 SAE J1772
Charge Cable Length	18 feet
Status Indicator	RGB LED Display
User Interface	None
NETWORK SPECIFICATIONS	
Network Interface	V4.2 BLE 2.4GHz & WIFI 2.4GHz
SAFETY & COMPLIANCE SPECIFICATIONS	
Ground Fault Detection	CCID20, 20mA per UL2231, Automatic Reset Feature
Ground Monitor	Ground Monitor per UL2231
Safety Compliance	UL2594/UL2231-1/UL2231-2
Protection	OVP, UVP, OCP, OTP
Energy Star Certified	Yes
OPERATIONAL SPECIFICATIONS	
Enclosure Rating	IK08
Waterproof	IP65
Operating Temperature	-30°C to +60°C
Storage Temperature	-30°C to +70°C
Operating Humidity	95%
Altitude	≤2000m
Charger Dimensions	333x330x210(mm)
Charger Weight	≤7Kg

Product Configuration

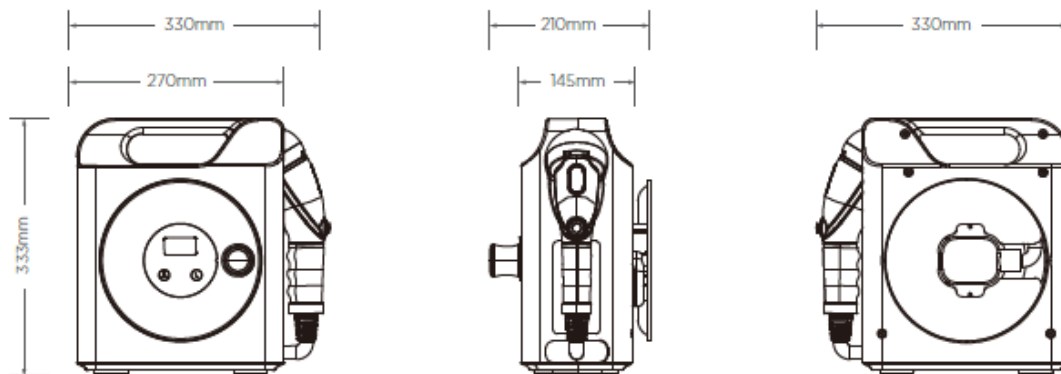


Application Examples



Product Dimensions

Charger Dimensions:



Accessories Dimensions:

